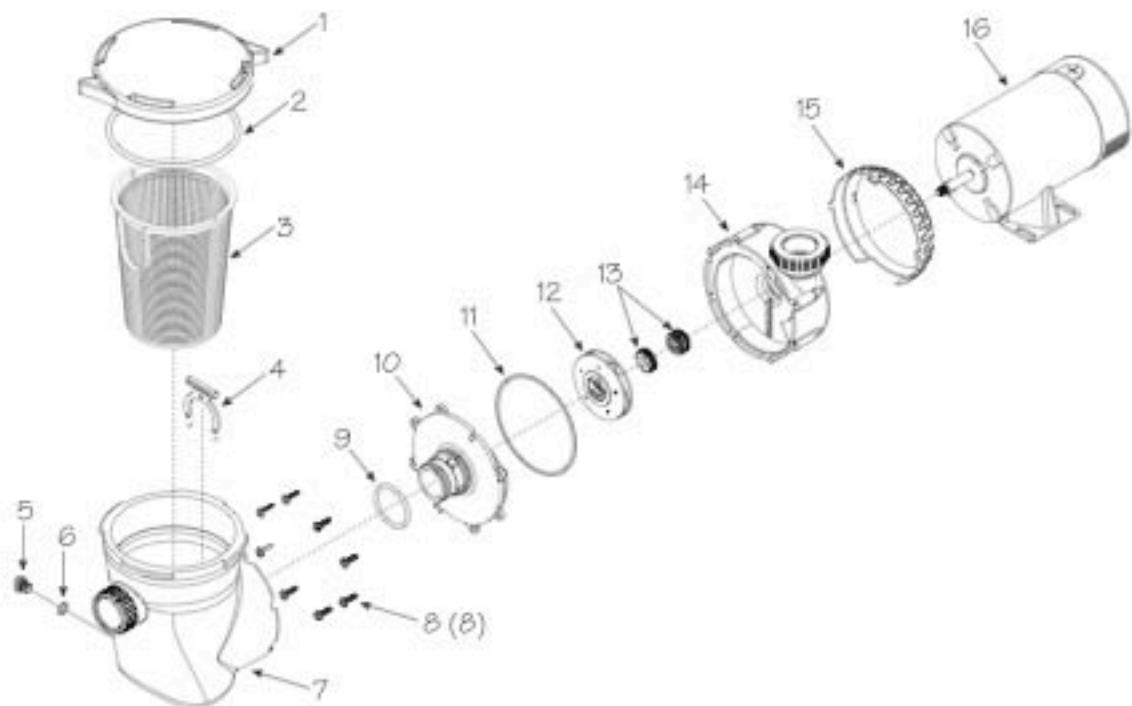


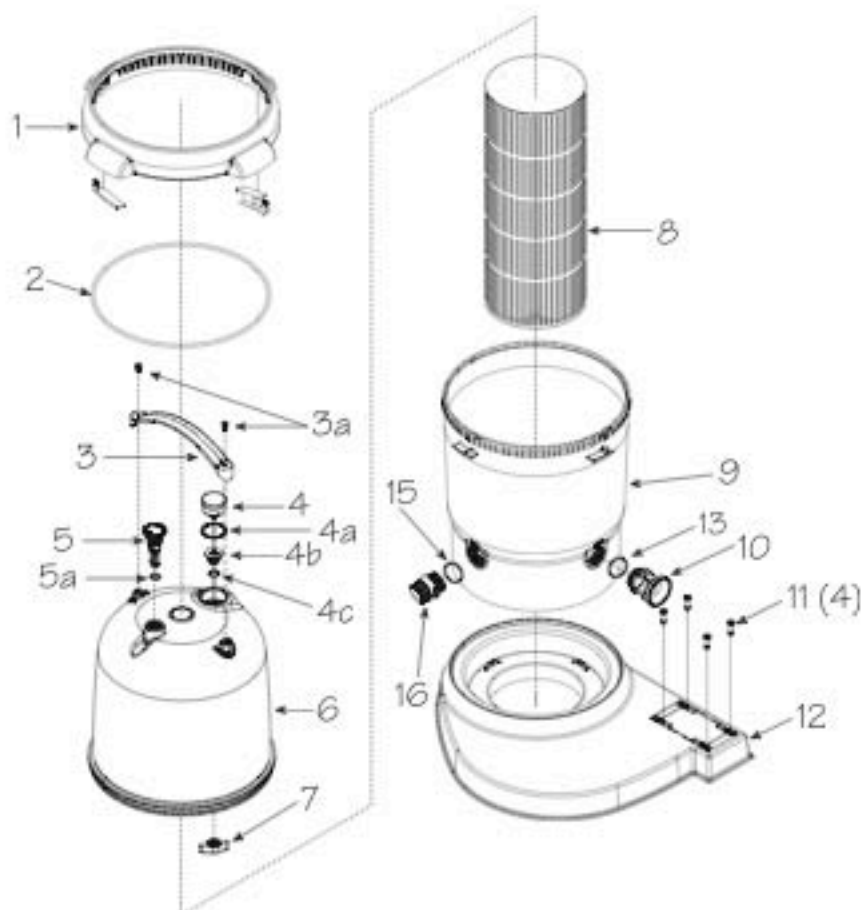


Replacement Parts / Supreme Pump



Supreme Pump Replacement Parts

Item	Part No.	Description	List (US \$)
1	511-1310	Trap Lid	45.16
2	805-0439	O-Ring	5.04
3	319-1530	Trap Basket	14.62
4	319-1540	C-Clip	7.22
5	715-1201	1/4" Quarter Slot Plug	1.94
6	805-0112	O-Ring Drain Plug	.44
7	319-1510	Trap Body	176.74
8	819-0800	#12 x 1" Self-Tapping Pan Head Phillips (8 required)	.54
9	805-0330	O-Ring	.72
10	311-1520	Volute Cover	73.81
11	805-0253	O-Ring Face Plate Volute	11.55
12	310-5080	1/4 HP Impeller Assembly	26.84
	310-5090	1 HP Impeller Assembly	26.84
	310-5100	1 1/2 HP Impeller Assembly	26.84
13	319-3010B	Seal Kit	19.17
14	315-1510	Volute	111.00
15	319-1550	Cosmetic Ring	36.07
16	--	Motor	--



ClearWater II Cartridge Filter Replacement Parts

Item	Part No.	Description	List (US \$)
1	550-2060	Filter Locknut Assembly	64.53
2	805-0460	Lid O-Ring	13.11
3	519-7601	Lid Handle	10.15
3a	819-9002	#12 x 3/4" Stainless Steel Phillips Head Screw	.41
4	830-400055	Pressure Gauge	20.27
4a	805-0136	O-Ring - Air Relief	.41
4b	519-7431	Gauge - Fitting Adapter	3.60
4c	805-0116EP	O-Ring - Adapter	.68
5	602-0201	Air Relief Plug	6.92
5a	805-0207	O-Ring - Air Relief	2.48
6	519-7410	Lid Assembly (Small)	180.13
	519-7400	Lid Assembly (Large)	216.16
7	519-7441	Gauge Lock-Nut	13.27
8	817-0075N	75 sq. ft. Cartridge	133.65
	817-0100N	100 sq. ft. Cartridge	155.54
	817-0150N	125 sq. ft. Cartridge	225.06
	817-0200N	200 sq. ft. Cartridge	268.34
9	515-7250	Filter Body	433.49
10	500-5300	Drain Assembly	8.29
11	429-7221	Base Fasteners (4 required)	1.73
12	672-7401	ClearWater II Base	129.80
13	805-0224	O-Ring	.44
15	805-0224	O-Ring	.44
16	500-5300	Drain Assembly	8.29